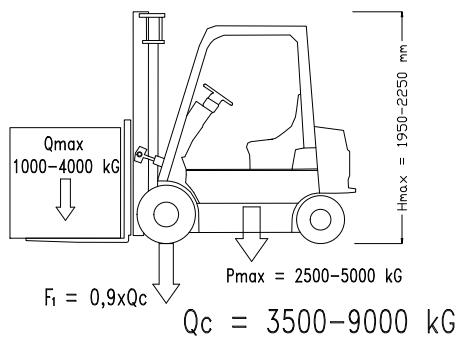
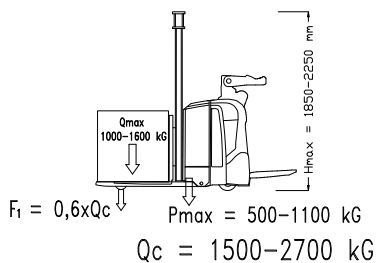


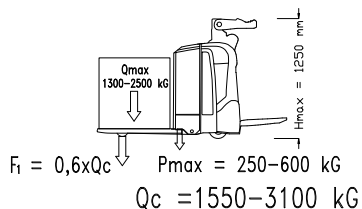
ENGINED FORK-LIFT



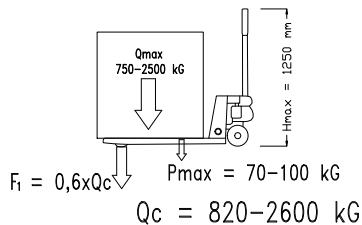
BATTERY FORK-LIFT



MANUAL BATTERY FORK-LIFT



MANUAL BATTERY PALLET TRUCK   
(NO UP-LIFTING POSSIBILITY)



MANUAL PALLET TRUCK   
(NO UP-LIFTING POSSIBILITY)

Qmax – max. weight load (kg)  
 Pmax – max. weight of truck (kg)  
 Qc – total weight (kg)  
 Fi – max. load on the front axle (kg)



Dimensions and total weights of forklifts used should be agreed with the investor.

Change	Date	Description		
		Catalogue no.:	No. of drawing	Date version.
		WOZ.WID.2	GMV.WOZ.WID.2	24.03.2015
		Date:		Version
		16.09.2014		1.2

