

GREEN LIFT GL TML 900 kg THREE-IN / 3 entrances



IMPORTANT: INFORMATION INCLUDED IN THE DRAWING IS USED FOR PRELIMINARY DESIGN ONLY. FOR MORE DETAILS, PLEASE CONTACT GMV TECHNICAL OFFICE.

Legenda:



PASSENGER LIFT



ACCESSIBILITY FOR DISABLED PERSONS (IN ACCORDANCE WITH THE LOCAL BUILDING CODE).



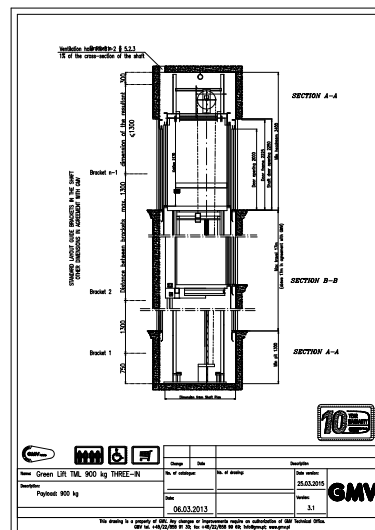
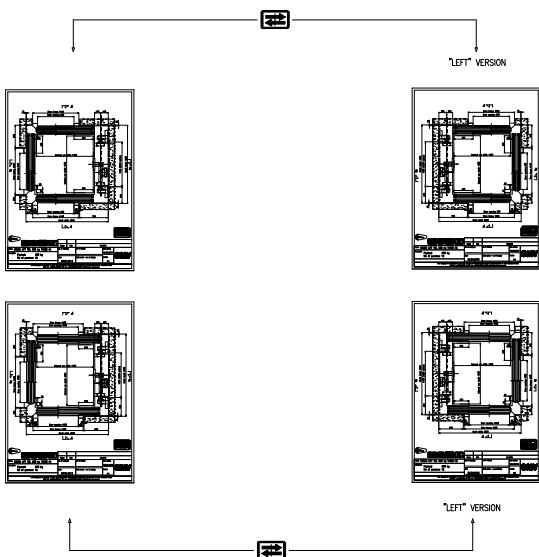
LIFT ADAPTED TO CARRY SHOPPING CARTS.



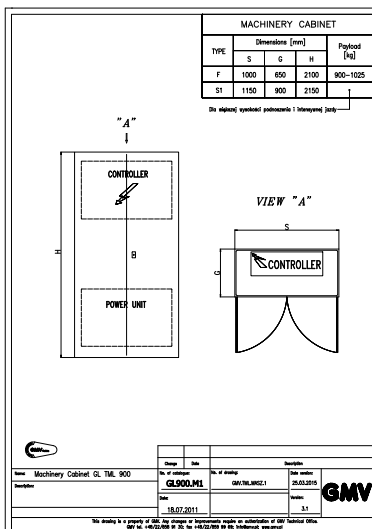
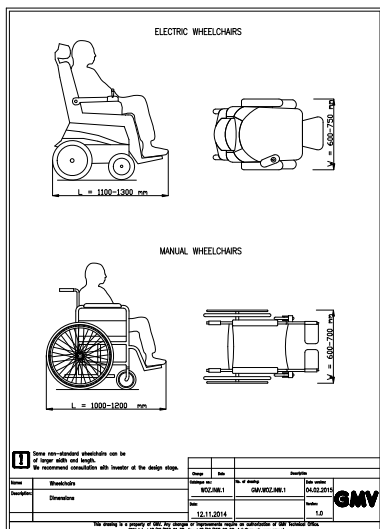
MIRROR IMAGE
SHAFT PLANS, EXCEPT SELECTED, REPRESENT "RIGHT" VERSION.
"LEFT" VERSION IS AVAILABLE AND OBTAINED AS THE MIRROR IMAGE WITH RESPECT TO LONGITUDINAL AXIS OF THE CAB.



LIFT UNDER EXTENDED 10-YEAR GMV WARRANTY. FOR DETAILS PLEASE CONTACT GMV.



WHEELCHAIRS



SHOPPING CART

