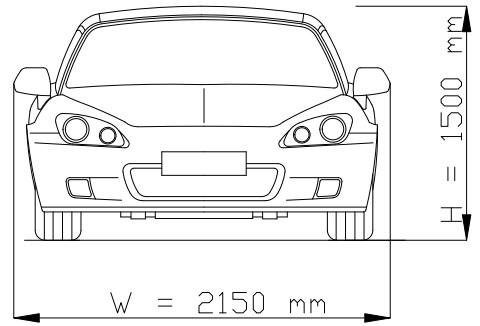
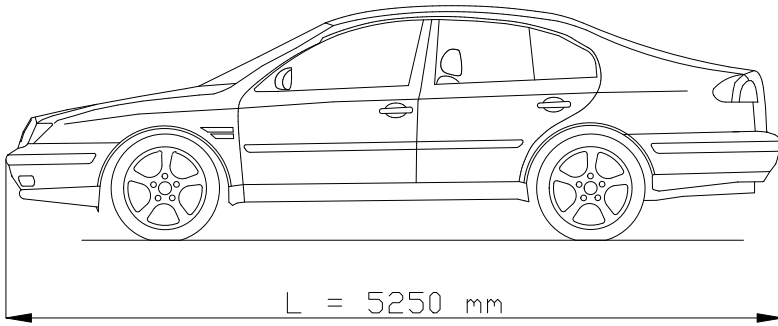
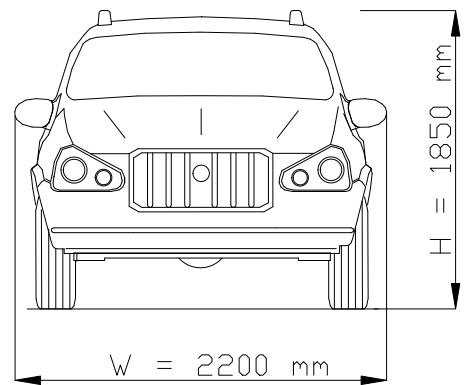
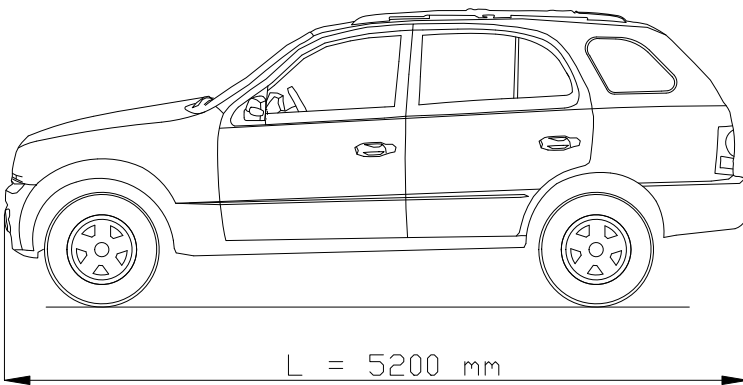


S-class limousine



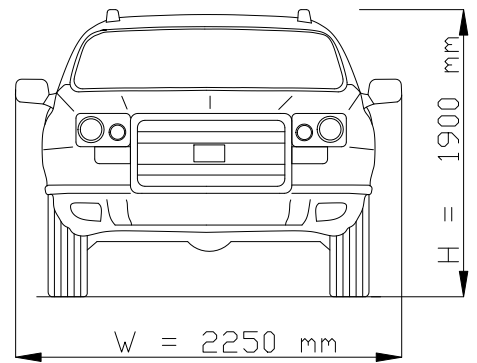
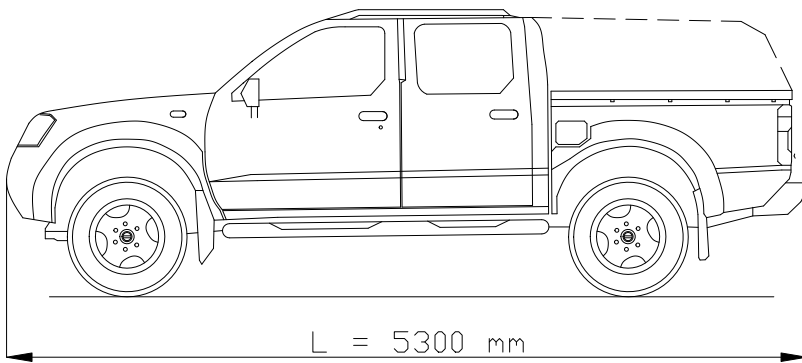
Qmax = 2650 KG

SUV



Qmax = 3250 KG

Pick-Up



Qmax = 3300 KG

MAXIMUM WEIGHTS AND DIMENSIONS OF PRESENTLY MANUFACTURED PASSENGER VEHICLES.



NOTE: SOME VERY TOP LIMOUSINES MAY BE LARGER THAN SHOWN IN THE DRAWING.

Name:	Passenger vehicles	Change	Date	Description
Description:	Maximum weights and dimensions	Catalogue no.:	No. of drawing:	Date version:
		SAM.OS.1	GMV.SAM.OS.1	30.05.2015
		Date:		Version:
		16.10.2014		1.3

